

**WLN2 – Replacing Electric Passenger Compartment Heater (Workshop campaign)**

Model Line: **Taycan(Y1A)**

Model Year: **As of 2020 up to 2021**

Concerns: **Electric passenger compartment heater (high-voltage heater)**

Information: **An electric passenger compartment heater in which a circuit board was not soldered according to specifications may have been installed on the affected vehicles.**

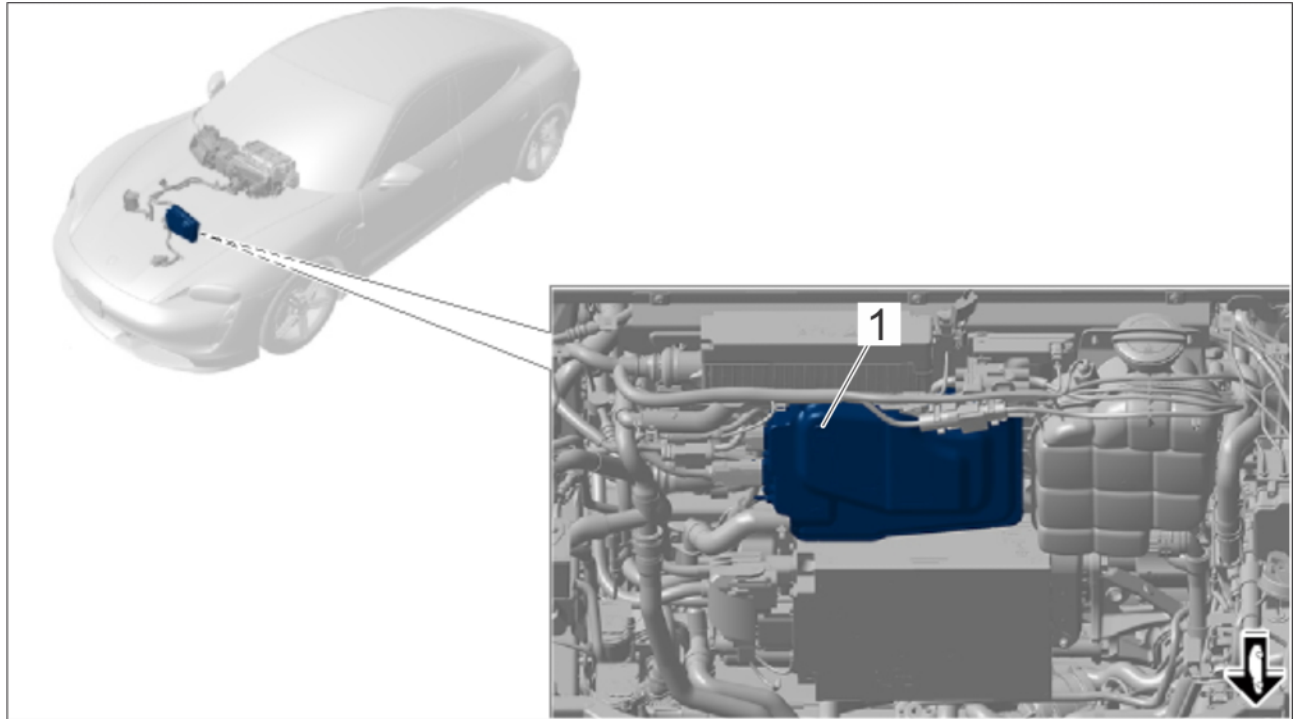
This can result in the functional restriction of the electric passenger compartment heater. As a result, the temperature regulation of the passenger compartment air conditioning and the high-voltage battery will be disturbed.

Action required: Replace the electric passenger compartment heater.

Affected Vehicles: Only vehicles assigned to the campaign (see also PCSS Vehicle Information). This campaign affects 57 vehicles.

## Installation

## Position:



*Installation position of electric passenger compartment heater*

- 1 – Electric passenger compartment heater (**replace**)

**Required tools****Information**

The Taycan (Y1A) is equipped as standard with a **lithium starter battery**.

**Lithium starter batteries** must only be charged using a **suitable battery charger** that has a current and voltage-controlled charge map.

For further information about the battery chargers to be used, see ⇒ *Workshop Manual '270689 Charging battery/vehicle electrical system'*.

## Tools:

- **VAS 6883 Insulated tool set**
- **VAS 6558A High-voltage testing module**
- **VAS 6558/9-6 High-voltage test adapter HVA 280**
- **VAS 5410 Contact Surface Cleaning Set**
- **T40262 - Locking cap**
- **9696 - Filling device**
- **3093 - Hose clamp**

- VAS 6675A Funnel
- VAS 6968 Coolant filling device
- VAS 6096/2 Vacuum pump
- VAG 1274B Cooling system tester
- VAS 6890 Spring band clamp pliers
- VAS 6935 Pole terminal puller
- Torque wrench, 2 - 10 Nm (1.5 - 7.5 ftlb.), e.g. VAG 1783 Torque wrench, 2-10 Nm (1.5-7.5 ftlb.)
- Torque wrench, 6 - 50 Nm (4.5 - 37 ftlb.), e.g. VAG 1331A Torque wrench, 6-50 Nm (4.5-37 ftlb.)
- Torque wrench, 20 - 100 Nm (15 - 74 ftlb.), e.g. VAS 5820 Torque wrench, 20-100 Nm (15-74 ftlb.)
- Electronic torque angle torque wrench, e.g. 9768 - Electronic torque wrench, 2 - 100 Nm (1.5 - 74 ftlb.)
- Battery charger with a current rating of **at least 90 A** and a **current and voltage-controlled charge map** for lithium starter batteries, e.g. VAS 5908 Battery charger 90 A
- 9900 - PIWIS Tester 3

**Required parts and materials**

Parts Info:

Part No.	Designation	Qty.
	- Use	
PAD963507	⇒ Electric passenger compartment heater	1 ea.
N 10737001	⇒ Hexagon nut M6 - Holder for electric passenger compartment heater on body	4 ea.

Materials:

**(only if required)**

Part No.	Designation	Qty.
00004330516	⇒ Coolant additive, 20 liter/ 5.28 gal container - Cooling system	As much as required (max. 1 liter/ 33.8 fl oz required per vehicle)

**Replacing electric passenger compartment heater**



**Incorrect handling of high-voltage components**

- Electric shock
- Risk of short circuit

- Fire
  - Risk of explosion
- ⇒ Only appropriately trained and authorized persons are permitted to work on high-voltage vehicles and components.
- ⇒ Required qualification: High voltage technician or high voltage expert.
- ⇒ Observe national requirements and legislation for this work.
- ⇒ Always use insulated tools, e.g. Insulated tool set, when working on these components.
- ⇒ Observe general warning notes for working on the high-voltage system. ⇒ *Workshop Manual '2X00IN General warning notes for working on the high-voltage system'*

 **WARNING****Hot fluid**

- Danger of scalding
- ⇒ Avoid contact with hot fluid.
- ⇒ Wear personal protective gear.

 **CAUTION****Hot components**

- Risk of burns
- ⇒ Let hot components cool down.
- ⇒ Wear personal protective gear.

**Information**

Before installing or removing the coolant lines, place absorbent material (paper, cloths) underneath to absorb any emerging coolant. Coolant must never get onto electric contacts.

- Work Procedure: 1 Observe general warning notes for working on the high-voltage vehicle electrical system ⇒ *Workshop Manual '2X00IN General warning notes for working on the high-voltage system'*.
- 2 Isolate the high-voltage system from the power supply ⇒ *Workshop Manual '2X00IN Isolating high-voltage system from power supply/Starting high-voltage system'*.
- 3 Replace electric passenger compartment heater.  
For instructions, see ⇒ *Workshop Manual '828019 Removing and installing electric passenger compartment heater'*.

Part No.	Designation – Use	Qty.
PAD963507	Electric passenger compartment heater	1 ea.
N 10737001	Hexagon nut M6 – Holder for electric passenger compartment heater on body	4 ea.

Additional materials required (**only if required**):

00004330516	Coolant additive – cooling system	As much as required (max. 1 liter/ 33.8 fl oz)
-------------	--------------------------------------	---

- 4 Start the high-voltage system ⇒ *Workshop Manual '2X00IN Isolating high-voltage system from power supply/Starting high-voltage system'*.
- 5 Enter the campaign in the Warranty and Maintenance booklet.

### Warranty processing



#### Information

The specified working time was determined specifically for carrying out this campaign and may differ from the working times published in the Labor Operation List in the PCSS.

Scope 1:

<p><b>Working time:</b></p> <p>Replacing electric passenger compartment heater</p> <p>Includes:</p> <ul style="list-style-type: none"> <li>Raising and lowering the vehicle</li> <li>Removing and installing left front wheel</li> <li>Removing and installing left front wheel housing liner</li> <li>Removing and installing luggage compartment tray</li> <li>Loosening and securing fuse box for front section</li> <li>Removing and installing front underbody cover</li> <li>Connecting and disconnecting battery charger</li> <li>Connecting and disconnecting PIWIS Tester</li> <li>Disconnecting and restarting the high-voltage system</li> <li>Loosening and fastening ground strap on vehicle electrical system battery</li> <li>Draining and filling coolant</li> <li>Ventilating coolant system</li> </ul>	<p>Labor time: <b>590 TU</b></p>
--	----------------------------------

**Parts required:**

PAD963507	Electric passenger compartment heater	1 ea.
N 10737001	Hexagon nut	4 ea.

**Required materials (only if required):**

00004330516	Coolant additive (20 liter/ 5.28 gal container)	0.05 ea.
-------------	---	----------

⇒ Damage Code WLN2 066 000 2

**Important Notice:** Technical Bulletins issued by Porsche Cars North America, Inc. are intended only for use by professional automotive technicians who have attended Porsche service training courses. They are written to inform those technicians of conditions that may occur on some Porsche vehicles, or to provide information that could assist in the proper servicing of a vehicle. Porsche special tools may be necessary in order to perform certain operations identified in these bulletins. Use of tools and procedures other than those Porsche recommends in these bulletins may be detrimental to the safe operation of your vehicle, and may endanger the people working on it. Properly trained Porsche technicians have the equipment, tools, safety instructions, and know-how to do the job properly and safely. Part numbers listed in these bulletins are for reference only. The work procedures updated electronically in the Porsche PIWIS diagnostic and testing device take precedence and, in the event of a discrepancy, the work procedures in the PIWIS Tester are the ones that must be followed.

© 2022 Porsche Cars North America, Inc.